

# SJE VERTICALMASTER® II LC CONTROL Switch

**Mechanically-activated control switch designed to activate low current control panels and alarms.**

This control switch offers reliable control for AC and DC applications in non-potable water, and waste-water. The internal switching mechanism has sealed gold cross-point contacts for reliable low current operation. Common applications include PLC (programmable logic controller) panels, IS panels, with intrinsically safe barriers, low current solar barriers, low current solar applications, and other low current control panel and alarm applications.

The SJE VerticalMaster® II LC (Low Current) switch is not sensitive to turbulence.

It is available in normally open (high level) operation only.



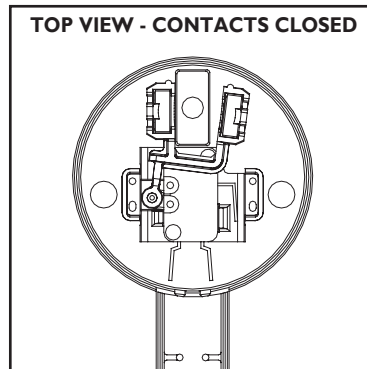
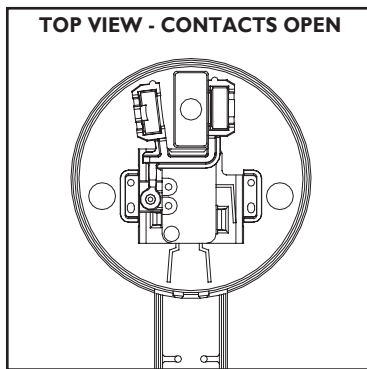
U.S. Patent No. 6,140,925  
CA Pats. 2,367,577 and 2,694,446  
Euro Pat. 1203360  
German Pat. DE69931196T2  
China Pat. 201110089665.0

## FEATURES

- Adjustable activation range of .75 to 6.5 inches (2 to 17 cm).
- Low current, non-arcing applications down to 0.160 mA at 125 VAC
- Includes standard boxed packaging.
- CSA Certified.
- Five-year limited warranty.



Member of  
**Hydraulic**



## OPTIONS

**This switch is available:**

- in standard cable lengths of 10 and 20 feet (3 and 6 meters)

## SPECIFICATIONS

**CABLE:** flexible 18 gauge, 2 conductor  
(UL, CSA) SJTOW, SJTW

**MOUNTING BRACKET & HOSE CLAMP:**  
stainless steel

**LIFT ROD:** injection molded acetal plastic

**FLOAT STOP:** neoprene

**SWITCH AND FLOAT HOUSING:** high impact,  
corrosion resistant, PVC housing for use in  
non-potable water up to 52°C (125°F)

**Overall dimensions:** 12 inch high x 5 inch  
x 3 inch wide (30.5 cm high x 12.7  
cm x 7.6 cm wide)

**Switch housing dimensions (excluding  
cable entrance):** 2 inch high x 2.8 inch  
diameter (5 cm high x 7.1 cm diameter)

**Float housing dimensions:** 2.5 inch high x  
2.7 inch diameter (6.4 cm high x 6.9 cm  
diameter)

### **ELECTRICAL:**

#### **125 VAC**

**Maximum Electrical Load:**

1 amp

**Minimum Electrical Load:**

0.160 milliamps

#### **30 VDC**

**Maximum Electrical Load:**

0.1 amps

**Minimum Electrical Load:**

0.160 milliamps

#### **5 VDC**

**Minimum Electrical Load:**

1 milliamps



**SJE RHOMBUS®**

1-888-DIAL-SJE • 1-218-847-1317

1-218-847-4617 Fax

email: [customer.service@sjeinc.com](mailto:customer.service@sjeinc.com)

[www.sjerhombus.com](http://www.sjerhombus.com)

**G.13**

California Prop 65 requires the following:  WARNING Cancer and Reproductive Harm - [www.P65Warnings.ca.gov](http://www.P65Warnings.ca.gov)

**SEE REVERSE SIDE FOR ORDERING INFORMATION.**

# SJE VERTICALMASTER® II LC CONTROL Switch

Mechanically-activated, control switch designed to activate low current control panels and alarms.

## ORDERING INFORMATION

Normally Open		List Price	Shipping Weight
Part#	Description		
1025024	10VMILC BOX	\$54.62	1.65 lbs.
1039781	20VMILC BOX	\$61.76	2.36 lbs.

## OPTIONS

**MOUNTING BRACKET AND HOSE CLAMP ARE STANDARD**

**BOXED PACKAGING IS STANDARD**

Bulk packaging is not available.

## SPECIFICATIONS

**ACTIVATION RANGE:** .75 to 6.5 inches (2 cm to 17 cm)

**CABLE:** flexible 18 gauge, 2 conductor SJTOW, SJTW (UL, CSA)

**MOUNTING BRACKET AND HOSE CLAMP:** stainless steel

**LIFT ROD:** injection molded acetal plastic

**FLOAT STOP:** neoprene

**SWITCH AND FLOAT HOUSING:** high impact, corrosion resistant, PVC housing for use non-potable water up to 52°C (125°F)

**Overall dimensions:** 12 inch high x 5 inch x 3 inch wide (30.5 cm high x 12.7 cm x 7.6 cm wide)

**Switch housing dimensions (excluding cable entrance):** 2 inch high x 2.8 inch diameter (5 cm high x 7.1 cm diameter)

**Float housing dimensions:** 2.5 inch high x 2.7 inch diameter (6.4 cm high x 6.9 cm diameter)

### ELECTRICAL:

#### 125 VAC

**Maximum Electrical Load:**

1 amp

**Minimum Electrical Load:**

0.160 milliamps

#### 30 VDC

**Maximum Electrical Load:**

0.1 amps

**Minimum Electrical Load:**

0.160 milliamps

#### 5 VDC

**Minimum Electrical Load:**

1 milliamps

UL Recognized for  
Water & Sewage



## OTHER INFORMATION

### **NORMALLY OPEN (HIGH LEVEL) OPERATION**

The control switch closes (turns on) when the float rises signaling a high level, and opens (turns off) when the float drops.

**Call or fax your order!**  
1-888-DIAL-SJE (1-888-342-5753) • Fax 218-847-4617

Product offering and pricing are subject to change without notice.  
Please visit [www.sjerhombus.com](http://www.sjerhombus.com) for the most current information.



**SJE RHOMBUS.**

[www.sjerhombus.com](http://www.sjerhombus.com)  
[customer.service@sjeinc.com](mailto:customer.service@sjeinc.com)