

INSTALLER FRIENDLY SERIES® - IFS In-Site® Single Phase Simplex

Single phase, simplex demand dose or timed dose, float or C-Level™ sensor controlled system for pump control, system monitoring, event logging and reporting.

The IFS In-Site® simplex control panel is designed to control one 120, 208, or 240 VAC single phase pump in water and sewage installations. The panel features an easy-to-use touch pad with display on the inner door for programming and system monitoring. The panel configuration can be easily converted in the field to either a timed dose or demand dose. Quick retrieval of all system events including pump run times, pump cycles, alarm conditions, power outages, service calls and more can be done by downloading panel information onto a USB flash drive. Data reports make diagnosing system conditions easy.

The optional C-Level™ sensor is a pressure transducer that senses the liquid level in the tank and sends a signal to the IFS In-Site® panel. Pump activation levels can be adjusted by using the panel touch pad. C-Level™ CL40 sensor operating range is 3-39.9 inches (7.6-101.3 cm). C-Level™ CL100 operating range is 3-99.5 inches (7.6-252.7 cm).

TOUCH PAD FEATURES

- A. Level Status Indicators** illuminate when floats or set points are activated. Alarm will activate if a float operates out of sequence.
- B. HOA (Hand-Off-Automatic) Buttons** with indication control pump mode. Hand mode defaults to Automatic when stop level or redundant off level is reached.
- C. Pump Run Indicator** illuminates when pump is called to run.
- D. LED Display** shows system information including: level in inches or centimeters (C-Level™ sensor only), mode, pump elapsed time (hh:mm), events (cycles), alarm counter, float error count, timed dose override counter (timed dose only), pump ON/OFF times (timed dose only), and sequence ON/OFF times (timed dose only).
- E. NEXT Push Button** toggles display.
- F. UP and SET Push Buttons** used to set pump ON/OFF times (timed dose only), date and hour, activation levels (C-Level™ only).
- G. Control Fuse**
- H. Alarm Fuse**
- I. USB Port** for flash drive to download time-stamped system events.
- J. Manual Report Switch** date and time stamps service calls.

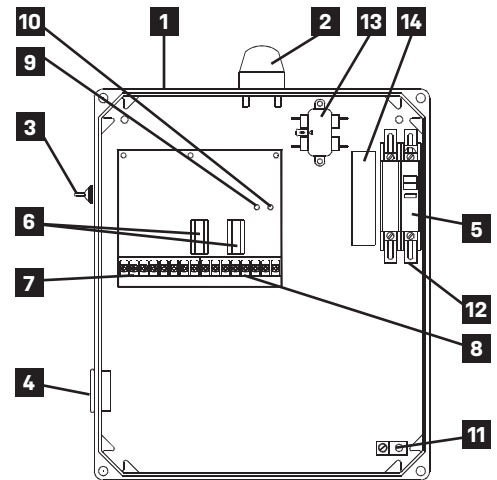
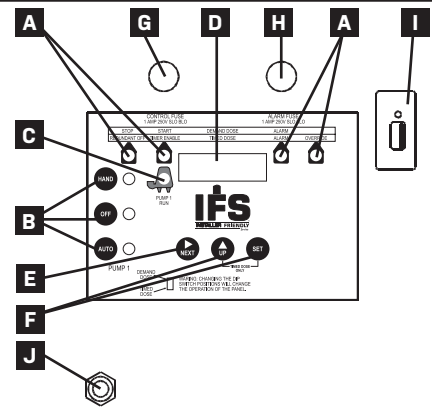
PANEL COMPONENTS

- 1. Enclosure** base measures 14 X 12 X 6 inches (35.56 X 30.48 X 15.24 cm). NEMA 4X (ultraviolet stabilized thermoplastic with removable mounting feet for outdoor or indoor use). **Note:** Options, voltage, and amp range selected may change enclosure size and component layout.
- 2. Red Alarm Beacon** provides 360° visual check of alarm condition.
- 3. Exterior Alarm Test/Normal/Silence Switch** allows horn and light to be tested and horn to be silenced in an alarm condition. Alarm automatically resets once alarm condition is cleared.
- 4. Alarm Horn** provides audio warning of alarm condition (83 to 85 decibel rating).
- 5. Circuit Breaker** (optional) provides pump disconnect and branch circuit protection.
- 6. Power Relay** controls pump by switching electrical lines. Definite purpose contactor used when pump full load amps are above 15.
- 7. Float Connection Terminal Block**
- 8. Incoming Control/Alarm Terminal Block**
- 9. Control Power Indicator/Fuse** indicator light illuminates if control power is present in panel. Alarm will activate if control fuse is blown.
- 10. Alarm Power Indicator/Fuse** indicator light illuminates if alarm power is present in panel.
- 11. Ground Lug**
- 12. Incoming Pump Power Connections**
- 13. RF Filter**
- 14. Power Supply**

NOTE: Schematic/Wiring Diagram and Pump Specification Label are located inside the panel on enclosure cover

California Prop 65 requires the following:  WARNING Cancer and Reproductive Harm - www.P65Warnings.ca.gov

SEE REVERSE SIDE FOR ORDERING INFORMATION.



Model Shown IF11W114X8AC

Reg. Cdn Pat. & TM Off

C-Level™ Sensor US Patent No. 8,336,385; 8,567,242; 8,650,949

FEATURES

- Entire control system is UL Listed to meet and/or exceed industry safety standards
- Dual safety certification for the United States and Canada
- Standard package includes:
Demand Dose - three 20' control switches
Timed Dose - two 20' control switches
- Available with EZconnex® float system
- Complete with step-by-step installation instructions
- Five-year limited warranty



SJE RHOMBUS®

1-888-DIAL-SJE • 1-218-847-1317

1-218-847-4617 Fax

email: customer.service@sjeinc.com

www.sjerrhombus.com

B.23



MODEL IFI

<input type="checkbox"/>	MODEL TYPE		
<input type="checkbox"/>	1 = SPLX TIMED DOSE (includes option 8AC standard).....	\$2,151.00	
<input type="checkbox"/>	2 = SPLX DEMAND DOSE (includes option 8AC standard).....	\$2,178.00	
<input checked="" type="checkbox"/>	ALARM PACKAGE		
<input checked="" type="checkbox"/>	1 = alarm package (includes test/normal/silence switch, fuse, red light & horn).....	Base	
<input checked="" type="checkbox"/>	ENCLOSURE RATING		
<input checked="" type="checkbox"/>	W = NEMA 4X.....	Base	
<input type="checkbox"/>	STARTING DEVICE		
<input type="checkbox"/>	1 = 120/208/240 VAC.....	Base	
<input type="checkbox"/>	9 = 120 VAC.....	Base	
<input type="checkbox"/>	PUMP FULL LOAD AMPS		
<input type="checkbox"/>	0 = 0-7 FLA.....	Base	
<input type="checkbox"/>	1 = 7-15 FLA.....	Base	
<input type="checkbox"/>	2 = 15-20 FLA.....	\$85.00	
<input type="checkbox"/>	PUMP DISCONNECTS		
<input type="checkbox"/>	0 = no pump disconnect.....	Base	
<input type="checkbox"/>	4 = circuit breaker		
	120 VAC (must select starting device option 9).....	\$37.00	
	120/208/240 VAC (must select starting device option 1).....	\$74.00	
<input type="checkbox"/>	SWITCH APPLICATIONS		
<input type="checkbox"/>	H = floats (Timed dose = timer enable and alarm / Demand dose = stop, start, and alarm)(select 17 option)...	Base	
<input type="checkbox"/>	E = Ezconnex® float switch system (select 33, 35 or 36 option)		
	timed dose.....	-\$54.00	
	demand dose.....	-\$81.00	
<input type="checkbox"/>	X = no floats		
	timed dose.....	-\$54.00	
	demand dose.....	-\$81.00	
<input type="checkbox"/>	C = C-Level™ sensor (must select 24 or 29 option)		
	(select option 3E and/or 4A & 4D for high water alarm and/or redundant off floats)		
	timed dose.....	-\$54.00	
	demand dose.....	-\$81.00	

Note: Pump down applications only.

Industry practices suggest that a secondary device, such as a float switch, be used for redundant activation of the high level alarm and pump shut off.

Note: Pump down applications only.

OPTIONS *Listed below*

CODE	DESCRIPTION	LIST PRICE	CODE	DESCRIPTION	LIST PRICE
<input type="checkbox"/>	1J Duo alarm inputs.....	\$27.00	<input type="checkbox"/>	17H MilliAmpMaster™/ externally weighted ● (per float)	\$7.00
<input type="checkbox"/>	3A Alarm flasher.....	\$53.00	<input type="checkbox"/>	17J Sensor Float® / pipe clamp ▲ (per float)	\$4.00
<input type="checkbox"/>	3B Manual alarm reset.....	\$95.00	<input type="checkbox"/>	18A Timer override option with float	
<input type="checkbox"/>	3E High water alarm float (must select 17 option)	\$27.00		(timed dose float panel only).....	\$27.00
	(Available only when Switch Applications = C)		<input type="checkbox"/>	24E C-Level™ CL40 sensor w/4' vent tube & 20' cord..	\$297.00
<input type="checkbox"/>	4A Redundant off (select option 4D if floats are required)		<input type="checkbox"/>	24F C-Level™ CL40 sensor w/4' vent tube & 40' cord..	\$329.00
	Demand Dose.....	\$58.00	<input type="checkbox"/>	24G C-Level™ CL40 sensor w/8' vent tube & 20' cord..	\$302.00
	Timed Dose	\$0.00	<input type="checkbox"/>	24H C-Level™ CL40 sensor w/8' vent tube & 40' cord..	\$334.00
<input type="checkbox"/>	4D Redundant off float		<input type="checkbox"/>	24X No C-Level™ CL40 sensor.....	\$0.00
	(must select 4A option) (must select 17 option)	\$27.00	<input type="checkbox"/>	29A C-Level™ CL100 sensor w/10' vent tube & 20' cord...	\$307.00
<input type="checkbox"/>	6A Auxiliary alarm contacts, Form C.....	\$42.00	<input type="checkbox"/>	29B C-Level™ CL100 sensor w/10' vent tube & 40' cord...	\$339.00
<input checked="" type="checkbox"/>	8AC Display board includes: ETM counter, events (cycles)		<input type="checkbox"/>	29X No C-Level™ CL100 sensor	\$0.00
	counter, alarm counter, and override counter (timed dose		<input type="checkbox"/>	33D EZconnex® 3-Port, 25', w/10' floats (3) /pipe clamp *....	\$268.00
	only). (Included as standard.)	\$0.00	<input type="checkbox"/>	33E EZconnex® 3-Port, 50', w/10' floats (3) /pipe clamp *....	\$304.00
<input type="checkbox"/>	10E Lockable latch - NEMA 4X.....	\$42.00	<input type="checkbox"/>	33G EZconnex® 3-Port, 25', w/20' floats (3) /pipe clamp *....	\$288.00
<input type="checkbox"/>	10F Lightning arrestor (must select pump circuit breaker,		<input type="checkbox"/>	33H EZconnex® 3-Port, 50', w/20' floats (3) /pipe clamp *....	\$324.00
	control and alarm power combined)	\$244.00	<input type="checkbox"/>	35D EZconnex® 4-Port, 25', w/10' floats (4) /pipe clamp *....	\$379.00
<input type="checkbox"/>	10K Anti-condensation heater.....	\$106.00	<input type="checkbox"/>	35E EZconnex® 4-Port, 50', w/10' floats (4) /pipe clamp *....	\$424.00
	(must select if operating temperature is colder		<input type="checkbox"/>	35G EZconnex® 4-Port, 25', w/20' floats (4) /pipe clamp *....	\$405.00
	than 0 degrees F (-18 degrees C.)		<input type="checkbox"/>	35H EZconnex® 4-Port, 50', w/20' floats (4) /pipe clamp *....	\$450.00
<input type="checkbox"/>	11C NEMA 1 alarm panel (must select option 6A)	\$95.00	<input type="checkbox"/>	36D EZconnex® 3-Port, 25', w/10' floats (2) /pipe clamp,	
<input type="checkbox"/>	11D NEMA 4X alarm panel			sealing plug *.....	\$232.00
	(must select option 6A).....	\$315.00	<input type="checkbox"/>	36E EZconnex® 3-Port, 50', w/10' floats (2) /pipe clamp,	
<input type="checkbox"/>	15A Control / Alarm circuit breaker	\$90.00		sealing plug *.....	\$268.00
<input type="checkbox"/>	16A 10' cord in lieu of 20' (per float)	-\$3.00	<input type="checkbox"/>	36G EZconnex® 3-Port, 25', w/20' floats (2) /pipe clamp,	
<input type="checkbox"/>	16B 15' cord in lieu of 20' (per float)	-\$2.00		sealing plug *.....	\$245.00
<input type="checkbox"/>	16C 30' cord in lieu of 20' (per float)	\$5.00	<input type="checkbox"/>	36H EZconnex® 3-Port, 50', w/20' floats (2) /pipe clamp,	
<input type="checkbox"/>	16D 40' cord in lieu of 20' (per float)	\$15.00		sealing plug *.....	\$281.00
<input type="checkbox"/>	17C Sensor Float® / internally weighted ▲ (per float)	\$9.00			
<input type="checkbox"/>	17D Sensor Float® / externally weighted ▲ (per float)	\$11.00			
<input type="checkbox"/>	17G MilliAmpMaster™/ pipe clamp ● (per float)	\$0.00			

* EZconnex® mechanically-activated, narrow angle float switches with quick release connections.

9500059F-WEB 10/18

© 2018 SJE, Inc. All Rights Reserved.
SJE RHOMBUS is a trademark of SJE, Inc.