

INSTALLER FRIENDLY SERIES® - IFS Single Phase Simplex Capacitor (Start/Run)

Single phase, simplex demand dose or timed dose, float or C-Level™ controlled system for pump control and system monitoring.

The IFS single phase simplex capacitor (start/run) control panel is designed to control one 120, 208, or 240 VAC single phase pump in water and sewage installations. The IFS single phase simplex capacitor (start/run) control panel features a simple, easy-to-use touch pad on the inner door for programming and monitoring pump and float operation.

The optional C-Level™ sensor is a pressure transducer that senses the liquid level in the tank and sends a signal to the IFS panel. Pump activation levels can be adjusted by using the panel touch pad. C-Level™ CL40 sensor operating range is 3-39.9 inches (7.6-101.3 cm). C-Level™ CL100 operating range is 3-99.5 inches (7.6-252.7 cm).

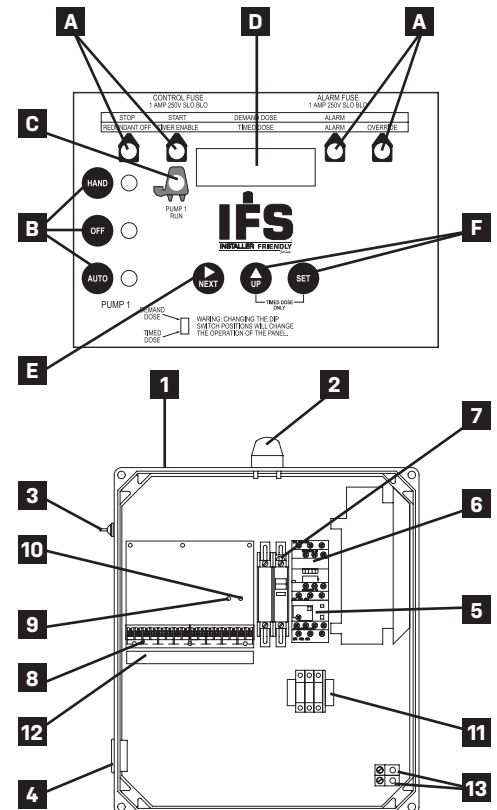
TOUCH PAD FEATURES

- A. **Level Status Indicators** illuminate when floats or set points are activated. Alarm will activate if a float operates out of sequence.
- B. **HOA (Hand-Off-Automatic) Buttons** control pump mode with indication. Hand mode defaults to Automatic when stop level or redundant off level is reached.
- C. **Pump Run Indicator** illuminates when pump is called to run.
- D. **LED Display** shows system information including: level in inches or centimeters (C-Level™ only), mode, pump elapsed time (hh:mm), events (cycles), alarm counter, float error count, timed does override counter (timed dose only), and ON/OFF times (timed dose only).
- E. **NEXT Push Button** toggles display.
- F. **UP and SET Push Buttons** set pump ON/OFF times (timed dose only) or activation levels (C-Level™ only).

PANEL COMPONENTS

1. **Enclosure** base measures 16 x 14 x 6 inches (40.64 x 35.56 x 15.24 cm). NEMA 4X (ultraviolet stabilized thermoplastic with removable mounting feet for outdoor or indoor use). **Note:** Options, voltage, and amp range selected may change enclosure size and component layout.
2. **Red Alarm Beacon** provides 360° visual check of alarm condition.
3. **Exterior Alarm Test/Normal/Silence Switch** allows horn and light to be tested and horn to be silenced in an alarm condition. Alarm automatically resets once alarm condition is cleared.
4. **Alarm Horn** provides audio warning of alarm condition (83 to 85 decibel rating).
5. **Overload Relay** (optional) provides pump overload protection.
6. **IEC Motor Contactor** controls pump by switching electrical lines.
7. **Circuit Breaker** (optional) provides pump disconnect and branch circuit protection.
8. **Float and Control/Alarm Incoming Terminal Block**
9. **Control Power Indicator/Fuse** indicator light illuminates if control power is present in panel. Alarm will activate if control fuse is blown.
10. **Alarm Power Indicator/Fuse** indicator light illuminates if alarm power is present in panel.
11. **Large Pump Connection Power Terminal Block**
12. **Terminal Block Float and Control/Alarm Incoming Power Wiring Label**
13. **Ground Lugs**

NOTE: Schematic/Wiring Diagram and Pump Specification Label are located inside the panel on enclosure cover.



Model Shown IFS71W114X912A8AC

Reg. Cdn Pat. & TM Off

C-Level™ Sensor US Patent No. 8,336,385; 8,567,242; 8,650,949

FEATURES

- Entire control system is UL Listed to meet and/or exceed industry safety standards
- Dual safety certification for the United States and Canada
- Standard package includes three 20' control switches
- Available with EZconnex® float system
- Complete with step-by-step installation instructions
- Five-year limited warranty. This express warranty does not apply to the motor start kit components. SJE Rhombus will warranty motor start kit components supplied by SJE Rhombus for one year. SJE Rhombus makes no warranties of any type with respect to motor start kits supplied by a customer.



SJE RHOMBUS

1-888-DIAL-SJE • 1-218-847-1317

1-218-847-4617 Fax

email: customer.service@sjeinc.com

www.sjerhombus.com

B.19

California Prop 65 requires the following: WARNING Cancer and Reproductive Harm - www.P65Warnings.ca.gov

SEE REVERSE SIDE FOR ORDERING INFORMATION.

SEE PRICE BOOK FOR LIST PRICE.

IFS7

W

1

MODEL IFS7

ALARM PACKAGE

1 = alarm package (includes test/normal/silence switch, fuse, red light, horn, & float)

ENCLOSURE RATING

W = Weatherproof, NEMA 4X (engineered thermoplastic)

STARTING DEVICE

1 = IEC motor contactor 120/208/240V

PUMP FULL LOAD AMPS

- 0 = 0-7 FLA
1 = 7-15 FLA
2 = 15-20 FLA
3 = 20-30 FLA
4 = 30-40 FLA

PUMP DISCONNECTS

- 0 = no pump disconnect
4 = circuit breaker

FLOAT SWITCH APPLICATION

- H or L = pump down or pump up (select 17 option)
E = Ezconnex® float switch system (select 33 or 34 option) WITH alarm package
X = no floats WITH alarm package
C = C-Level™ sensor (must select 24 or 29 option) (select option 3E and/or 4A & 4D for high water alarm and/or redundant off floats)

Note: Pump down applications only.

Industry practices suggest that a secondary device, such as a float switch, be used for redundant activation of the high level alarm and pump shut off.

OPTIONS Listed below

Start/run capacitor kits must be ordered separately (see option 12 below or call factory)

- 3A Alarm flasher
3B Manual alarm reset
3E High water alarm float (must select 17 option) (Available only when Switch Applications = C)
4A Redundant off (select option 4D if floats are required)
4D Redundant off float (must select 4A option) (must select 17 option)
5A Thermal cutout/heat sensor auto reset (for pumps w/thermal switch leads)
5E Seal failure circuit & red indicator (2 wire)
6A Auxiliary alarm contacts, Form C
8AC Display board includes: ETM counter, events (cycles) counter, alarm counter. (Included as standard).
9_A Pump overload specify amperage after number 9 followed by letter "A". Example: 912A = 12 amp pump.
0-30 FLA
30-100 FLA
10E Lockable latch - NEMA 4X
10F Lightning arrestor (must select pump circuit breakers, control and alarm power combined)
10K Anti-condensation heater
11C NEMA 1 remote alarm panel (must select option 6A)
11D NEMA 4X remote alarm panel (must select option 6A)
12B Customer supplied motor start components, mounted in enclosure by SJE Rhombus
12C Motor start component, mounted and supplied by SJE Rhombus

- 16A 10' cord in lieu of 20' (per float)
16B 15' cord in lieu of 20' (per float)
16C 30' cord in lieu of 20' (per float)
16D 40' cord in lieu of 20' (per float)
17C Sensor Float® / internally weighted ▲ (per float)
17D Sensor Float® / externally weighted ▲ (per float)
17G SJE MilliAmpMaster™/ pipe clamp ● (per float)
17H SJE MilliAmpMaster™/ externally weighted ● (per float)
17J Sensor Float® / pipe clamp ▲ (per float)
24E C-Level™ CL40 sensor with 4' vent tube & 20' cord
24F C-Level™ CL40 sensor with 4' vent tube & 40' cord
24G C-Level™ CL40 sensor with 8' vent tube & 20' cord
24H C-Level™ CL40 sensor with 8' vent tube & 40' cord
24X No C-Level™ CL40 sensor
29A C-Level™ CL100 sensor w/10' vent tube & 20' cord
29B C-Level™ CL100 sensor w/10' vent tube & 40' cord
29X No C-Level™ CL100 sensor
33D EZconnex® 3-Port, 25', w/10' floats (3) /pipe clamp *
33E EZconnex® 3-Port, 50', w/10' floats (3) /pipe clamp *
33G EZconnex® 3-Port, 25', w/20' floats (3) /pipe clamp *
33H EZconnex® 3-Port, 50', w/20' floats (3) /pipe clamp *
34D EZconnex® 4-Port, 25', w/10' floats (3) /pipe clamp, sealing plug *
34E EZconnex® 4-Port, 50', w/10' floats (3) /pipe clamp, sealing plug *
34G EZconnex® 4-Port, 25', w/20' floats (3) /pipe clamp, sealing plug *
34H EZconnex® 4-Port, 50', w/20' floats (3) /pipe clamp, sealing plug *

● Mechanically-activated ▲ Mercury-activated
* EZconnex® mechanically-activated, narrow angle float switches with quick release connections.