

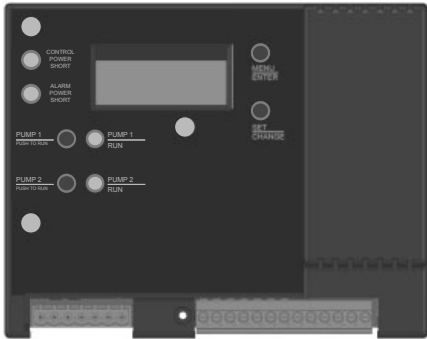
# CIRCUIT BOARD REPLACEMENT INSTALLATION INSTRUCTIONS

1056013A 12/2018

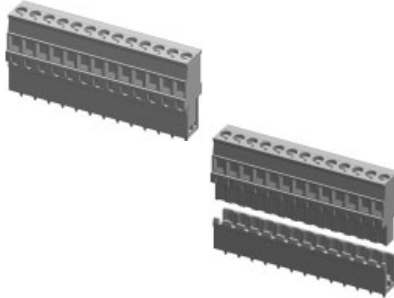
## Replacing an EZ Series® Circuit Board

\*Before beginning, you may want to document your current settings as you may need to re-enter.

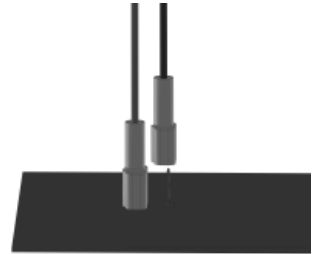
1. Disconnect all power sources.



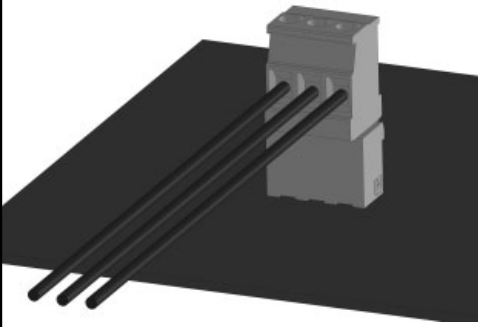
2. Remove moxex quick connectors from the circuit board.



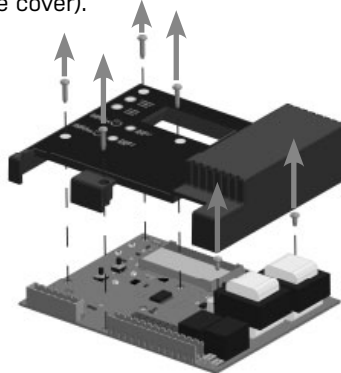
3. Remove and label silence push button wires from PCA. Cut off fastons and strip back wire insulation (1/4"). Brown wire P3 connects to SL and red wire P4 to 0V.



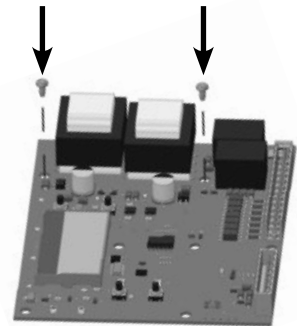
4. If you have a 3 position terminal block, label and remove the wires from them.



5. Remove 6 screws that hold the PCA to the panel door (early models do not have cover).

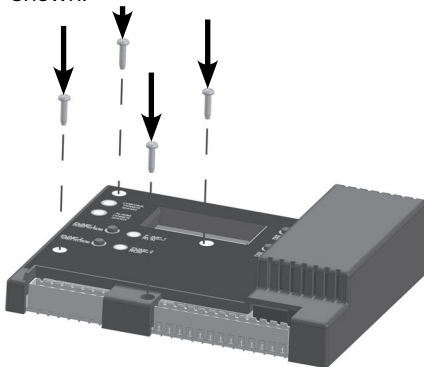


6. Install the new PCA to the panel door with the 2 short 3/8" screws as shown.



\*Be Careful not to strip out the screw in the plastic

7. Place the plastic cover over the PCA and attach with the 4 1/2" screws as shown.

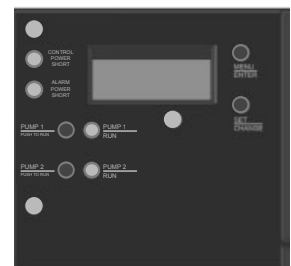


8. Install the labeled wires into the proper spots in the 7 position terminal block. Then install the 13 position terminal block.



9. Turn power on and test to verify the replacement circuit boards operates properly.

\*You may need to update the settings of the new PCA to match your old one.



For technical support, please call 1-800-746-6287.



22650 County Highway 6  
Detroit Lakes, Minnesota 56501 USA  
www.sjrhombus.com

E-mail: techsupport@sjeinc.com  
Customer Service Hours: Monday - Friday, 7 A.M. to 6 P.M. Central Time

# Controller Navigation and Setup



## Viewing Panel Settings:

Press menu/enter button to view:

- Float Status or Float Error
- Elapsed Time Meter
- Cycle Count
- Pump 2 Elapsed Time Count (Duplex)
- Pump 2 Cycle Count (Duplex)
- High Level & Power Fail Alarm Counts
- Float Error Count
- Auxiliary Alarm Input Counts
- Lag Float Count (Duplex)

Timed Dose Mode only:

- Timer Override Count
- ON Time
- Off Time
- Remaining ON/OFF Times

## Programming Panel Settings:

Press set/change button for 3 seconds to enter program mode.

### Simplex:

The display will show ON time in mm:ss.

Press set/change button to set the pump ON time. Use menu/enter button to select digit desired to change. Use set/change button to change ON time.

Press menu/enter button. The display will show OFF time in hh:mm.

Press set/change button to set the pump OFF time. Use menu/enter button to select digit desired to change. Use set/change button to change OFF time.

Note: Setting the OFF times to 00:00 turns off timed dose mode and timed dose menu items. The panel will operate in demand mode.

### Duplex:

The display will show Set Alternation, then either Alternate, 1-2 or 2-1.

Press set/change button to set the desired pump sequence.

Press menu/enter button to display number of floats.

Press set/change button to choose 3 floats or 4 floats.

Press menu/enter button.

Press set/change button for 3 seconds to return to the view menu.