

---

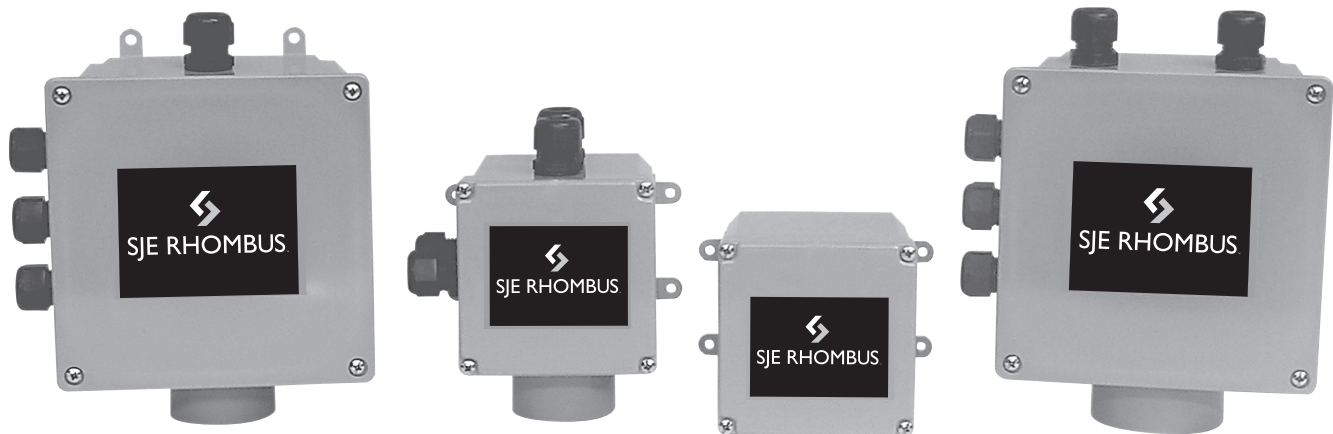
# SJE RHOMBUS<sup>®</sup>

## Junction Box Installation Instructions

---

These junction boxes provide a convenient location to connect all wiring required for a typical pumping station, on-site system or other electrical installation.

### JUNCTION BOXES



- NEMA 4X enclosure rated for outdoor use.
- External mounting feet included.
- Five-year limited warranty.

#### PREVENTATIVE MAINTENANCE

- Periodically inspect the product. Check that the cable(s) has not become worn or that the housing has not been damaged so as to impair the protection of the product. Replace the product immediately if any damage is found or suspected.
- Use only SJE Rhombus<sup>®</sup> replacement parts.

### SJE RHOMBUS<sup>®</sup> FIVE-YEAR LIMITED WARRANTY

Five-Year Limited Warranty. For complete terms and conditions, please visit [www.sjerhombus.com](http://www.sjerhombus.com).

#### NOTICE!

Products returned must be cleaned, sanitized, or decontaminated as necessary prior to shipment to ensure that employees will not be exposed to health hazards in handling said material. All applicable laws and regulations shall apply.

**⚠ WARNING****ELECTRICAL SHOCK HAZARD**

Disconnect power before installing or servicing this product. A qualified service person must install and service this product according to applicable electrical and plumbing codes.

**⚠ WARNING****EXPLOSION OR FIRE HAZARD**

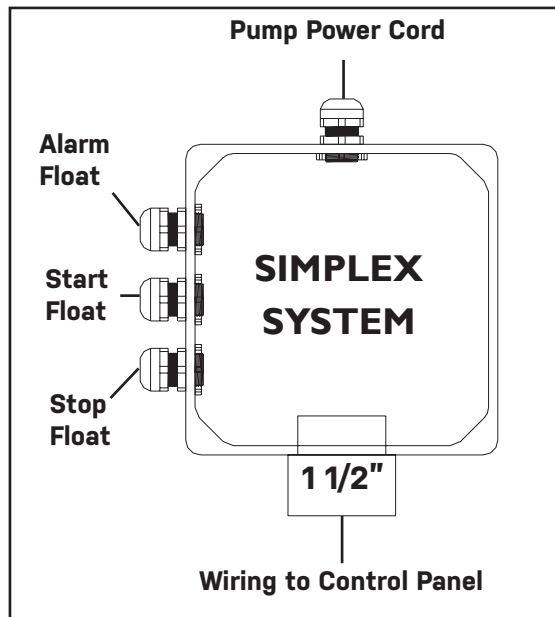
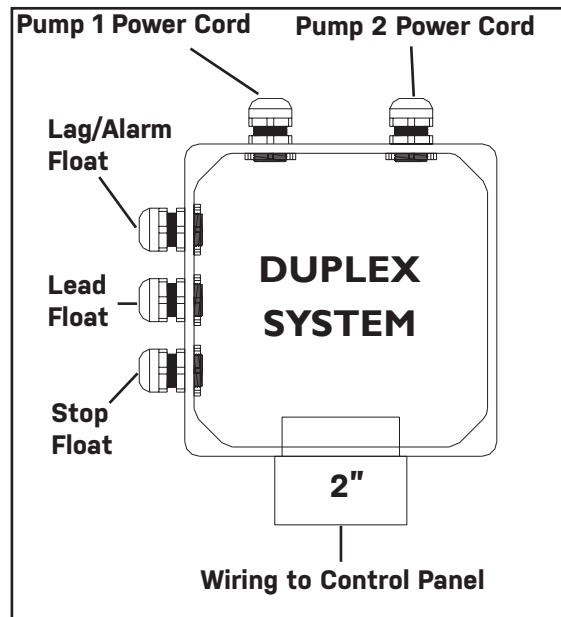
Do not use this product with flammable liquids. Do not install in hazardous locations as defined by National Electrical Code, ANSI/NFPA 70.

Failure to follow these precautions could result in serious injury or death. Replace product immediately if switch cable becomes damaged or severed. Keep these instructions with warranty after installation. This product must be installed in accordance with National Electric Code, ANSI/NFPA 70 so as to prevent moisture from entering or accumulating within boxes, conduit bodies, fittings, float housing, or cable.

*For detailed specifications on this product, or for the complete line of SJE Rhombus<sup>®</sup> panel, alarm, and switch products, visit our web-site at [www.sjerrhombus.com](http://www.sjerrhombus.com).*

**INSTALLING THE JUNCTION BOX**

1. Mount junction box in desired location. Caution: Junction boxes are not meant to be installed in the riser where flooding may occur.
2. Install wiring. See Figure A and B for potential cord placement for simplex and duplex systems.
3. Seal the hub as required by local and national electrical code to prevent moisture from entering junction box.
4. Verify cover gasket is in place.
5. Install cover.

**Potential cord entry locations for Simplex and Duplex systems****Figure A****Figure B**

22650 County Highway 6 ■ Detroit Lakes, Minnesota 56501 USA  
 1-888-DIAL-SJE (1-888-342-5753) ■ Phone: 218-847-1317 ■ Fax: 218-847-4617 ■ E-mail: [customer.service@sjerinc.com](mailto:customer.service@sjerinc.com)