

# SJE VERTICALMASTER® II and SJE VERTICALMASTER® II PLUS Pump Floats

**Mechanically-activated, pump switches designed to operate in sump applications with limited space.**

These mechanically-activated pump switches are designed to operate in non-potable water with limited space. They work well in small sump chambers and laundry trays, as well as in large tanks. These switches are not recommended for a sewage environment.

These switches not sensitive to turbulence.

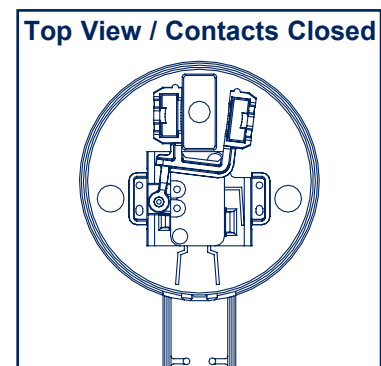
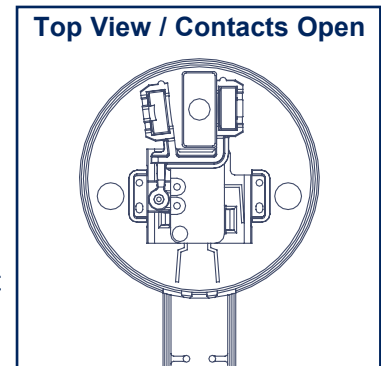
**Available for pump down applications only.**



U.S. Patent No. 6,140,925  
CA Pats. 2,367,577 and 2,694,446  
Euro Pat. 1203360  
German Pat. DE69931196T2  
China Pat. 201110089665.0

## GENERAL SPECIFICATIONS

- Flexible SJTOW, SJTW cable
- Stainless steel mounting bracket and hose clamp
- Acetal plastic lift rod
- Neoprene float stop
- High impact, corrosion resistant, PVC float and switch housing
- Temperature rating up to 52° C (125° F)
- IPX7 enclosure protection
- Suitable for Category 11 installations
- Protected by double-insulation
- Adjustable pumping range 2 cm to 17 cm (0.75 inches to 6.5 inches)
- Dimensions:  
**Overall dimensions:** 30.5 cm high x 12.7 cm x 7.6 cm wide (12 inch high x 5 inch x 3 inch wide)  
**Switch housing dimensions** (excluding cable entrance): 5 cm high x 7.1 cm diameter (2 inch high x 2.8 inch diameter)  
**Float housing dimensions:** 6.4 cm high x 6.9 cm diameter (2.5 inch high x 2.7 inch diameter)
- UL recognized, CSA certified for non-arcing loads, \*CE units available by request
- Must be used with pumps that provide integral thermal overload protection.



## MODEL SPECIFIC SPECIFICATIONS

SJE VERTICALMASTER® II pump float		
Voltage 50 Hz/60 Hz Single Phase	Maximum Pump Running Current	Maximum Pump Starting Current
125/250 VAC	10 amps	60 amps
Cable:	18 gauge, 2 conductor	

SJE VERTICALMASTER® II PLUS pump float		
Voltage 50 Hz/60 Hz Single Phase	Maximum Pump Running Current	Maximum Pump Starting Current
125/250 VAC	13 amps	78 amps
Cable:	16 gauge, 2 conductor	

**SJE Rhombus**

PO Box 1708, Detroit Lakes, MN 56502  
Phone: +1 218 847 1317

email: customer.service@sjerhombus.com

SEE BACKSIDE FOR COMPLETE LISTING OF AVAILABLE OPTIONS.

www.sjerhombus.com 63

# SJE VERTICALMASTER® II and SJE VERTICALMASTER® II PLUS Pump Floats

Mechanically-activated, pump switches designed to operate in sump applications with limited space.

## ORDERING INFORMATION

SJE VERTICALMASTER® II Pump Float			
PART NUMBER Pump Down Only	DESCRIPTION		SHIPPING WEIGHT
	Cable Length	Plug Configuration	
1009991	3 Meters	No Plug	0.75 kg
1009992	5 Meters	No Plug	0.94 kg
1009993	6 Meters	No Plug	1.07 kg
1009994	10 Meters	No Plug	1.38 kg

SJE VERTICALMASTER® II PLUS Pump Float			
PART NUMBER Pump Down Only	DESCRIPTION		SHIPPING WEIGHT
	Cable Length	Plug Configuration	
1023398	3 Meters	No Plug	0.75 kg
1023399	5 Meters	No Plug	0.94 kg
1023400	6 Meters	No Plug	1.07 kg
1023401	10 Meters	No Plug	1.38 kg

Pump Down is normally open contacts for emptying.  
SEE INTERNATIONAL PRICE BOOK FOR LIST PRICING.

## OPTIONS

- Mounting Bracket and Hose Clamp are standard
- Boxed Packaging is standard - Bulk packaging is not available.
- Additional Cable Lengths are available - Please contact the factory.
- Piggy-Back Plug - North American standard plug. Please contact the factory.



www.sjrhombus.com  
customer.service@sjrhombus.com

9500201A  
©SJE-Rhombus 02/17