

# EZ Series™ Plugger Control Panel

Easy to install control panel provides convenient wiring connection for use with one single phase pump in effluent and sewage installations.

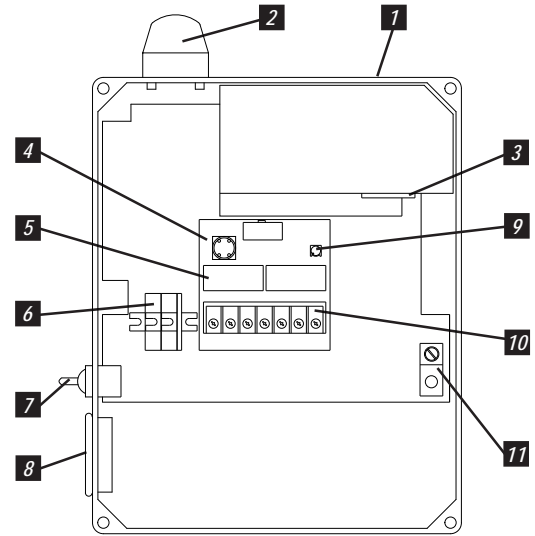
The EZ Series™ Plugger control panels feature a sleek easy to install panel and optional mounting post. The panel includes a built-in high water alarm with test/normal/silence switch and incorporates a receptacle to accept 120 VAC or 240 VAC pump and piggy-back pump switch.

The optional post models include an access door and cord seal which allow piggy-back and pump plugs to be easily routed and sealed into the panel. The post can be mounted in the ground directly, over a 4X4, or over conduit. The panel is also available with optional duo alarm and auxiliary contacts to meet the needs of various applications.

## PANEL COMPONENTS

1. **Enclosure** measures 10 x 8 x 6 inch (25.40 x 20.30 x 15.2 cm) with removable mounting feet, NEMA 4X rated, ultraviolet stabilized thermoplastic for indoor and outdoor use. Includes locking latch as standard.
2. **Red Alarm Beacon** provides 360° visual check of alarm condition.
3. **Receptacle** for use with piggy-back pump switch.
4. **Alarm Fuse** (mounted on circuit board).
5. **Horn Silence Relay** (mounted on circuit board).
6. **Pump Circuit Terminal Block**
7. **Exterior Alarm Test/Normal/Silence Switch** allows horn and light to be tested and horn to be silenced in an alarm condition. Alarm automatically resets once alarm condition is cleared.
8. **Alarm Horn** provides audio warning of alarm condition (83 to 85 decibel rating).
9. **Alarm Power Indicator** (mounted on circuit board).
10. **Alarm Circuit Terminal Block** (mounted on circuit board).
11. **Ground Lug**

**NOTE:** Schematic/Wiring Diagram is located inside the panel.



## OPTIONAL FEATURES

- 34" mounting post with cord seal
- Duo Alarm
- Elapsed Time Meter (See Accessories catalog page for information.)
- Various cord lengths available
- Pump circuit breaker

## PRICING/ORDERING INFORMATION

Part #	Model Number	Description	FLA	List Price	Ship Wgt
1025265	EZP11W6C0H10E17A	EZ Plugger 120V, 20ft SJE SignalMaster® alarm float	0-15	\$273.00	14 lbs.
1025266	EZP11W2C0H10E22E17A	EZ Plugger 120V, 20ft SJE SignalMaster® alarm float, 20' SJE PumpMaster Plus pump switch, 2" hub installed	0-15	\$363.00	14 lbs.
1025267	EZP11W6C0H6A10E17A	EZ Plugger 120V, 20 ft SJE SignalMaster® alarm float, auxiliary contacts	0-15	\$288.00	14 lbs.
1025270	EZP11W2C0H1J6A8G10EP17A	EZ Plugger 120V, 20ft SJE SignalMaster® alarm float, 20' SJE PumpMaster Plus pump switch, duo alarm, auxiliary contacts, ETM, w/post	0-15	\$593.00	14 lbs.
1025273	EZP11W6C0H1J6A8G10EP17A	EZ Plugger 120V, 20ft SJE SignalMaster® alarm float, duo alarm inputs, auxiliary contacts, ETM, w/post	0-15	\$533.00	14 lbs.
1025275	EZP11W6C0H10E16C17A22C	EZ Plugger 120V, 30ft SJE SignalMaster® alarm float, 2" hub installed w/ cord seal	0-15	\$333.00	14 lbs.

## FEATURES

- Entire control system (panel and switches, excluding VRS) is UL Listed to meet and/or exceed industry safety standards
- Dual safety certification for the United States and Canada
- Standard package includes alarm float switch
- Complete with step-by-step installation instructions
- Three-year limited warranty



**SJE Rhombus**

PO Box 1708, Detroit Lakes, MN 56502  
 1-888-DIAL-SJE • 1-218-847-1317  
 1-218-847-4617 Fax  
 email: sje@sjerhombus.com  
**www.sjerhombus.com**

SEE BACKSIDE FOR COMPLETE LISTING OF AVAILABLE OPTIONS.

EZP
 
 
W
 
C
 
 
10E

**MODEL EZP**

**MODEL**

1 = 120V ..... \$273.00

2 = 240V ..... \$339.00

**ALARMPACKAGE**

0 = no alarm package ..... -\$35.00

1 = alarm package ..... Base

**ENCLOSURERATING**

W = Weatherproof, NEMA 4X (engineered thermoplastic) ..... Base

**STARTINGDEVICE**

2 = SJE PumpMaster® Plus pump switch (0-15 FLA) ..... \$60.00

6 = no pump switch ..... Base

7 = 120 VAC Double Float® Master pump switch (0-13 FLA) ..... \$90.00

8 = 240 VAC Double Float® Master pump switch (0-13 FLA) ..... \$90.00

A = SJE MicroMaster® Plus WS (0-13 FLA) ..... \$45.00

**PUMP FULL LOAD AMPS**

C = 0-15 FLA ..... Base

**PUMP DISCONNECT**

0 = no pump disconnect ..... Base

4 = circuit breaker

120 VAC ..... \$35.00

240 VAC ..... \$70.00

**SWITCHAPPLICATION**

H = pump down (must select 17 option) ..... Base

X = no alarm floats ..... -\$25.00

**OPTIONS** *Listed below*

Total Options \_\_\_\_\_

**TOTAL LIST PRICE** \_\_\_\_\_

CODE	DESCRIPTION	LIST PRICE	CODE	DESCRIPTION	LIST PRICE
<input type="checkbox"/> 1J	Duo alarm inputs with alarm	\$70.00	<input type="checkbox"/> 16B	15' cord in lieu of 20' (per float)	-\$1.00
	without alarm	\$25.00	<input type="checkbox"/> 16C	30' cord in lieu of 20' (per float)	\$5.00
<input type="checkbox"/> 1V	Vertical Reed Switch (must select 1J)	\$65.00	<input type="checkbox"/> 16D	40' cord in lieu of 20' (per float)	\$7.00
<input type="checkbox"/> 6A	Auxiliary alarm contacts, form C	\$15.00	<input type="checkbox"/> 17A	SJE SignalMaster® / pipe clamp (alarm float only)	\$0.00
<input type="checkbox"/> 8G	ETM w/piggy-back	\$85.00	<input type="checkbox"/> 19Z	One incoming power	\$10.00
<input checked="" type="checkbox"/> 10E	Locking Latch (included as standard)	\$0.00	<input type="checkbox"/> 22C	2" hub installed with cord seal	\$55.00
<input type="checkbox"/> 10P	Mounting post (factory installed, includes cord seal)	\$90.00	<input type="checkbox"/> 22E	2" hub installed without cord seal	\$30.00
<input type="checkbox"/> 11C	NEMA 1 alarm panel (must select option 6A)	\$80.00	<input type="checkbox"/> 22F	PSP Assembly kit	\$55.00
<input type="checkbox"/> 11G	Remote outdoor alarm (TA Duo) (must select option 1J)	\$132.00			
<input type="checkbox"/> 16A	10' cord in lieu of 20' (per float) (Does not apply for Double Float® Master pump switch)	-\$2.00			

● Mechanically-activated

**SAMPLE**

<b>MODEL</b>	<span style="border: 1px solid black; padding: 2px 5px;">EZP1</span> <span style="border: 1px solid black; padding: 2px 5px;">1</span> <span style="border: 1px solid black; padding: 2px 5px;">W</span> <span style="border: 1px solid black; padding: 2px 5px;">2</span> <span style="border: 1px solid black; padding: 2px 5px;">C</span> <span style="border: 1px solid black; padding: 2px 5px;">0</span> <span style="border: 1px solid black; padding: 2px 5px;">H</span> <span style="border: 1px solid black; padding: 2px 5px;">1J 10EP 11G 17A</span>	LIST PRICE
<b>Alarm Package</b>		EZP1 ..... \$273.00
<b>Enclosure Rating</b>		1 ..... Base
<b>Starting Device</b>		W ..... Base
<b>Pump Full Load Amps</b>		2 ..... \$60.00
<b>Pump Disconnect</b>		C ..... Base
<b>Float Switch Application</b>		0 ..... Base
<b>Options: Duo alarm inputs, Locking Latch, Mounting Post, Duo Alarm, &amp; SJE Signal Master®/pipe clamp</b>		H ..... Base
		1J ..... \$70.00
		10E ..... Base
		10P ..... \$90.00
		11G ..... \$132.00
		17A ..... \$0.00
		<b>TOTAL LIST PRICE</b> ..... \$625.00